

# *Town Of McCordsville*

Office of the Public Works Commissioner

5759 West Broadway  
McCordsville, IN 46055



Ronald D. Crider  
Utility Commissioner  
Office (317) 335-3493  
Fax (317) 335-3493

**February 18, 2005**

**To: Developers, Contractors, and Homeowners**

**RE: Sanitary Sewer Lateral Standards**

## **SANITARY SEWER LATERALS OUTSIDE OF THE RIGHT OF WAY/EASEMENT**

- 1.) Only approved contractors may install sewer laterals. Contractors must provide proof of liability insurance and a reference list for consideration to be added to the approved list.**
- 2.) If working within an existing right-of-way, the contractor must obtain a right-of-way permit from the appropriate local jurisdiction.**
- 3.) Contractors are responsible for obtaining all appropriate permits prior to construction. No deviations from the approved plot plan are permitted unless instructed by the Office of Public Works. Immediately notify the office of Public Works of any conflicts or discrepancies noted on the approved plot plan. It is the sole responsibility of the owner to ensure all contractors and subcontractors comply with the approved plot plan. A copy of the approved plot plan is to be provided to the Inspector at the time of inspection.**
- 4.) The portion of the lateral installed from the right-of-way/easement to the building shall be inspected by the Office of Public Works prior to being backfilled.**
- 5.) Lateral inspections shall be scheduled forty-eight (48) hours in advance with the Office of Public Works.**
- 6.) A 6" diameter pipe Type I clean out shall be installed 3' away from building. A threaded plug shall be used to ensure the pipe is 100% watertight. For laterals greater than 100 LF as measured along the pipe, clean outs shall be installed at the right-of-way or property line or at 100 foot increments to provide access every 100 feet.**
- 7.) Clean outs are not to be installed in sidewalks, driveways, or any other paved or unpaved traffic areas or pedestrian paths.**

- 8.) All clean outs except within 3 feet of the building are to be Type II cleanouts.
- 9.) The connection of the building plumbing to the lateral shall be made with a fernco coupling within three (3) feet of the building before the cleanout except when the building has a basement. If the connection is made at the basement and there is not an adjacent slab or craw space, then a glued joint connection shall be made.
- 10.) The connection point shall not be made under porches or foundations.
- 11.) The fernco coupling shall be sealed watertight using steel band clamps. The piping on either side of the connection point shall be aligned and have no offsets or angles.

#### **SANITARY SEWER LATERALS – GENERAL NOTES**

- 1.) Laterals are to be constructed to the right-of-way/easement line and plugged tight with a braced plastic disc or cap capable of withstanding a low pressure air test without leakage. Only after the sanitary sewer has been tested and accepted by the Town Engineer is further installation of the laterals outside the right-of-way/easement permitted.
- 2.) Normal lateral slope is 1/4" per foot. Minimum lateral slope is 1/8" per foot. Any areas found not to comply with the minimum slope shall be removed and reinstalled.
- 3.) Lateral pipe shall be a minimum of 6" diameter and shall be SDR 35 PVC in accordance with ASTM D3034 and ASTM 2321. Laterals with any portion buried 15 feet or greater shall be SDR 26 PVC in accordance with ASTM D3034 to the terminus point either the right-of-way or easement line. PVC pipe shall have grooved bell and gasket. The pipe shall be made of PVC plastic conforming to ASTM D1784. Size and conformance shall be clearly labeled on pipe for inspection.
- 4.) All PVC sewer fittings shall be SDR 26 in accordance with ASTM D3034. Fittings shall be molded in one piece with elastomeric joints and minimum socket depths as specified in sections 6.2 and 7.3.2. Gaskets for elastomeric joints shall be molded with a minimum cross-sectional area of 0.20 square inches and conform to ASTM F-477 specification.
- 5.) All sewer laterals shall be bedded the same as the main line sewer. A minimum D/4 or 6-inches of compacted #8 stone under the pipe, 6-inches on either side of the pipe, and 12" above the pipe are required.
- 6.) Laterals are not to be installed under driveways.
- 7.) Full depth granular backfill is required for the lateral trench in areas within five (5) feet of drive ways, sidewalks or other traffic areas.
- 8.) Laterals are to be traced along the top of the pipe with a minimum size of 14 gauge wire from the wye to the clean out within three (3) feet of the building and extended

above grade. The contractor will install the tracer wire utilizing a method does not require any splices in the tracer wire. The tracer wire will be mounted to the top of the pipe in at least three locations along each stick of pipe. Any splices that become necessary during construction will be sealed water tight.

9.) Laterals will be separated from water mains and water service lines by ten (10) feet when measured horizontally from the outside edge of the lateral to the outside edge of any existing or proposed water mains or water service lines except when crossing water mains or water service lines which shall be separated by eighteen (18) inches when measured vertically. Crossings must be at a minimum angle of 45 degrees.

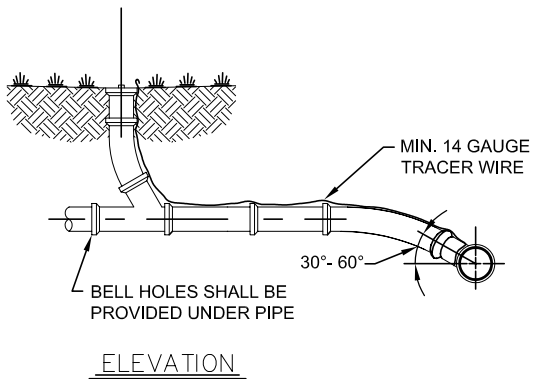
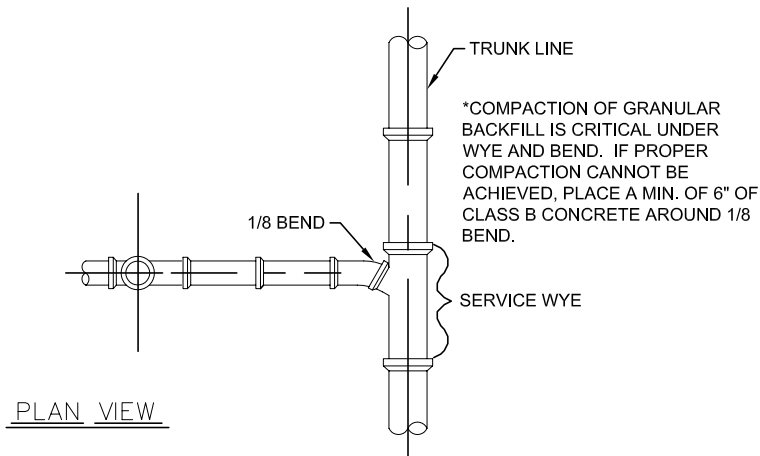
The attached details are also part of the Town Standards. Please contact the Office of Public Works with any questions.

Sincerely,

Ronald Crider,  
Public Works Commissioner

Attached Details:

Shallow Lateral  
Deep Lateral  
Clean Out Type I  
Clean Out Type II  
Pipe Bedding

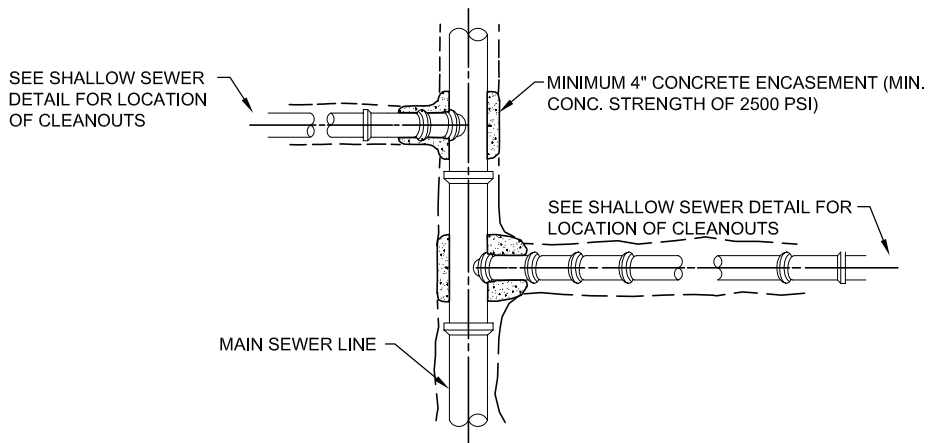


NOTE: A MINIMUM 6" DIA PIPE TYPE I CLEAN OUT SHALL BE INSTALLED 3' AWAY FROM BUILDING. A THREADED PLUG SHALL BE USED TO ENSURE 100% WATERTIGHTNESS. FOR LATERALS GREATER THAN 100 LF AS MEASURED ALONG THE PIPE, TYPE II CLEAN OUTS SHALL BE INSTALLED AT THE STREET RIGHT-OF-WAY OR PROPERTY LINE AS APPLICABLE AND AT 100 FOOT INCREMENTS AS APPROPRIATE.

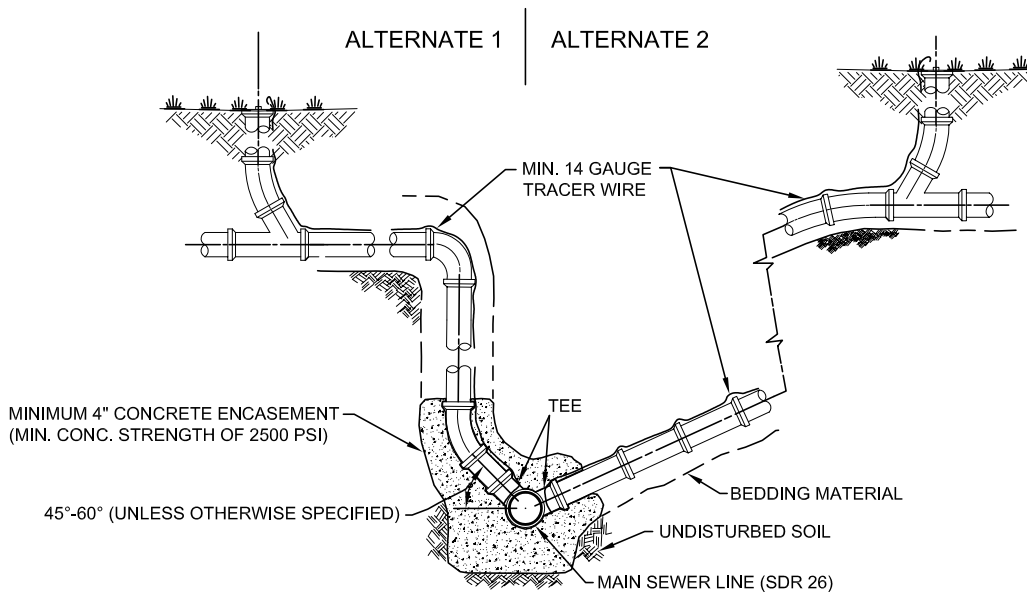
**Town of McCordsville**  
**Service Connection for**  
**Shallow Sewers**

RONALD CRIDER  
 PUBLIC WORKS COMMISSIONER MARCH 2005





PLAN VIEW



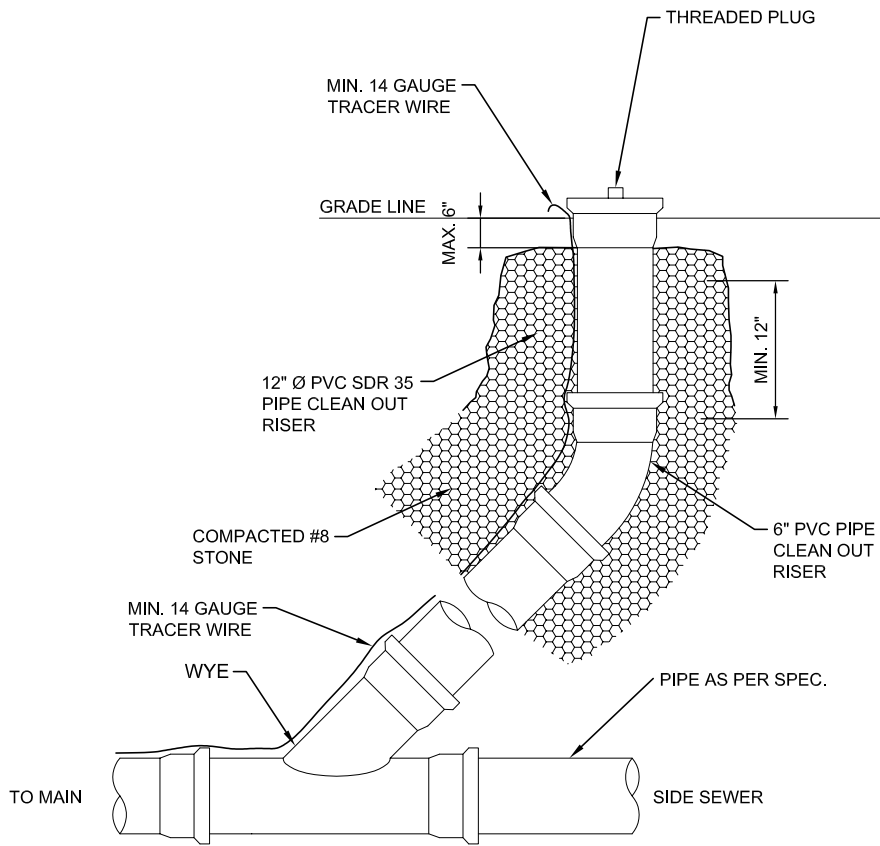
ELEVATION

NOTE: A MINIMUM 6" DIA PIPE TYPE I CLEAN OUT SHALL BE INSTALLED 3' AWAY FROM BUILDING. A THREADED PLUG SHALL BE USED TO ENSURE 100% WATERTIGHTNESS. FOR LATERALS GREATER THAN 100 LF AS MEASURED ALONG THE PIPE, TYPE II CLEAN OUTS SHALL BE INSTALLED AT THE STREET RIGHT-OF-WAY OR PROPERTY LINE AS APPLICABLE AND AT 100 FOOT INCREMENTS AS APPROPRIATE.

**Town of McCordsville**  
**Service Connection for**  
**Deep Sewers (2 Alternatives)**

RONALD CRIDER  
 PUBLIC WORKS COMMISSIONER MARCH 2005



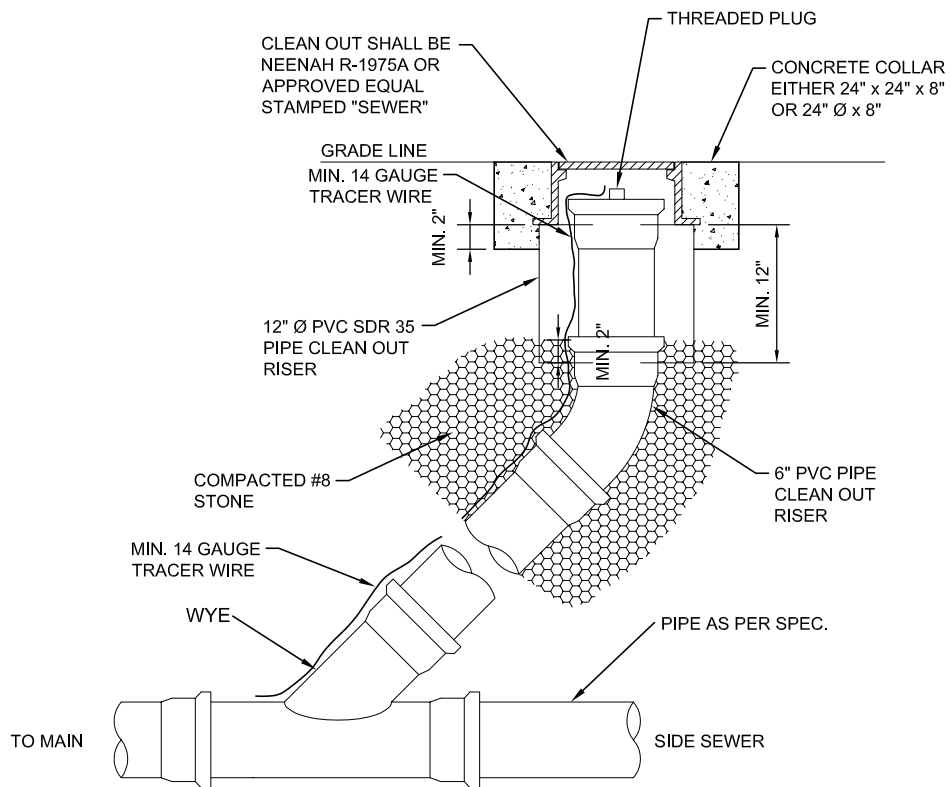


## Town of McCordsville

### Clean Out Type I

RONALD CRIDER  
 PUBLIC WORKS COMMISSIONER    MARCH 2005





## Town of McCordsville

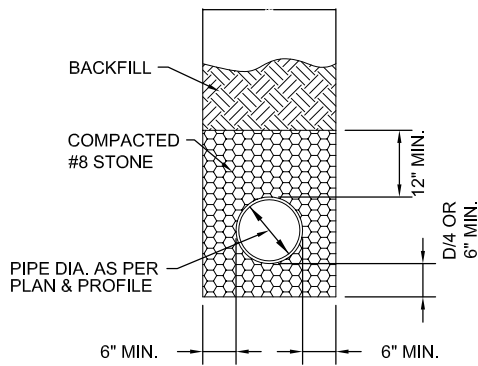
### Clean Out Type II

RONALD CRIDER  
PUBLIC WORKS COMMISSIONER

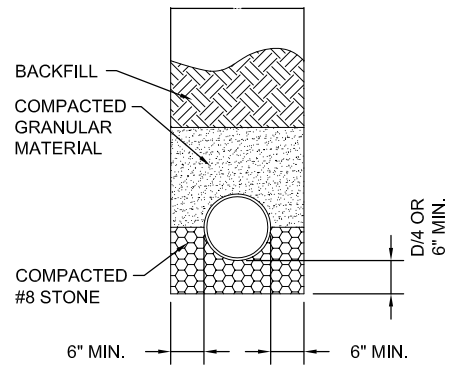
MARCH 2005



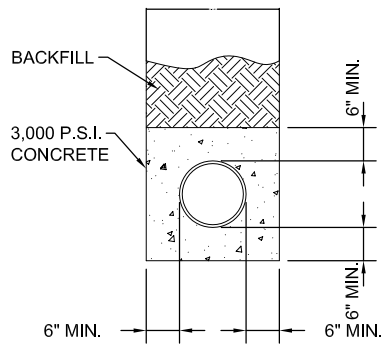
1. CONCRETE OR STONE BEDDING TO EXTEND TO UNDISTURBED TRENCH WALLS.
2. FOR PIPE DIA., REFER TO PLAN AND PROFILES.



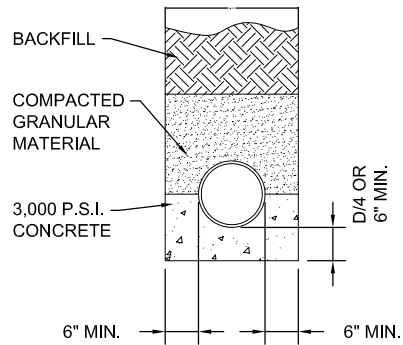
**FLEXIBLE PIPE BEDDING**  
TYP. PVC



**RIGID PIPE BEDDING**  
TYP. DI



**CONCRETE ENCASEMENT**  
CLASS "A-A"



**CONCRETE CRADLE**  
CLASS "A"

